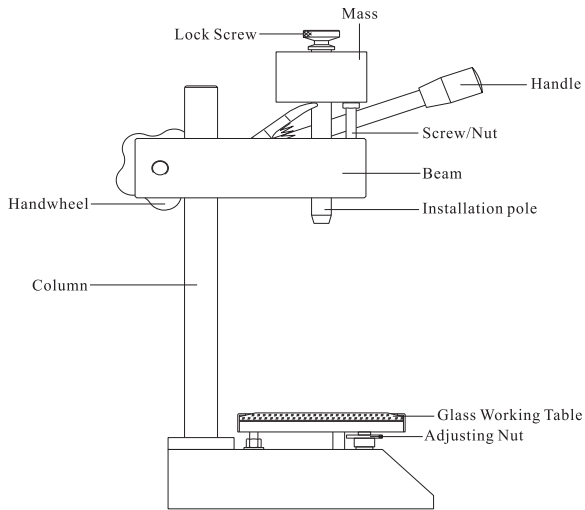


SLX Series Shore Durometer Test stand

Operation Manual

I . Brief Introduction

SLX Series Test Stand can improve the measurement reading of rubber hardness, through mass vertical force, make presser foot of durometer press to specimen and get stable and exact hardness reading. Different shore durometer type, different mass. This test stand is for Shore A type/D type/AO type/AM type durometer; C type micropore material durometer.



(Structure)

II. Operation Method

Connect durometer to installation pole steadily and put the block on the glass working table. Press down the handle to make durometer indenter into the hole of the block with mass force. If durometer presser foot touch the block flat completely, the reading should be ± 1 of standard value which is on the front of the block. If the reading is not correct, please adjust the nut under glass working table.

For durometer without block, press the handle to make durometer indenter and presser foot touch glass working table completely and the reading should be 100 ± 1 . If the reading is not correct, please adjust the nut under glass working table.

Put the specimen on the glass working table. Press down handle and make durometer indenter and presser foot touch the surface of specimen and get the reading timely.

The reading time is 15 seconds for thermoplasticity rubber and 3 seconds for vulcanized and unknown type rubber. For micropore material, the reading should be 1 second. If you use other testing time, it should be noted in report.

III. Caution

1. The mass of test stand is specially for SUNDOO durometer. If you use other brand durometer with SUNDOO test stand, please change the mass.

The international standard total weight is below for different type durometer.

A type and AO type: $1_{0}^{+0.1}$ kg

D type: $5_{0}^{+0.5}$ kg

AM type: $0.25_{0}^{+0.05}$ kg

C type: $1_{0}^{+0.1}$ Kg

Note: Total weight includes lock screw, mass, screw/nut, installation pole and durometer.

2. Make sure there is no shock during use and the durometer indenter touch specimen by max. speed 3.2mm/s.

3. For specimen requirement and adjustment, process according to specimen standard.

IV. Maintenance

1. Clean stand after use against rusting.

2. If there is any problem during use, please contact our company or original purchasing place.

制造商：温州山度仪器有限公司

MANUFACTURER: WENZHOU SUNDOO INSTRUMENTS CO.,LTD

地址：浙江省温州市龙湾区西台工业区西工西路5号

Add: No. 5, Xigongxi Road, Xitai Industrial Zone, Wenzhou China

Zip: 325011

Tel: +86 577 88609905 Fax: +86 577 88390155

Http://www.sundoo.com E-mail: export@sundoo.com