

1 Function

SJY-1000 Electric Vertical Test Stand, applied in tension and compression test, is assembled with SN、SH Series push pull gauge. With good stability, wide application range and easy operation, it has the advantages of non-polar speed adjustment, manual and automatic operation and auto control of switch function, It is suitable in the fields of rubber & plastic products, light industry & textile, construction of frame, complex material, wires & cables, automobile components, engine and scientific research.

2 Specification

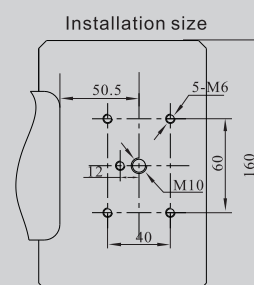
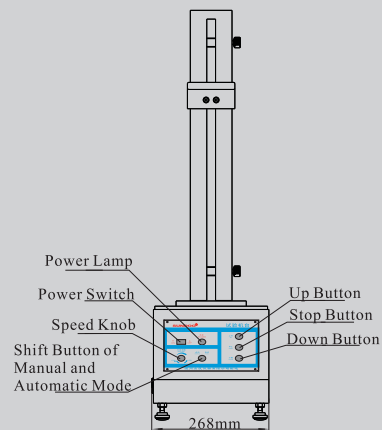
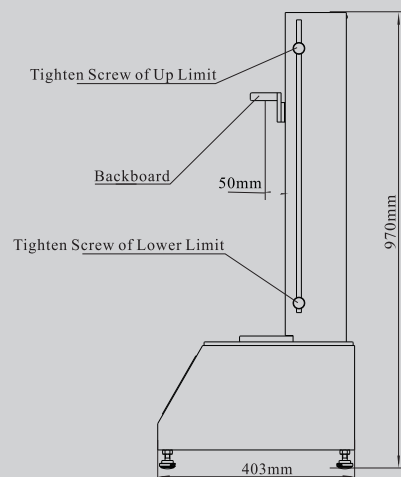
Stroke: 520mm
 Speed: 50-245mm/min, max load: 500N
 Speed: 250-500mm/min, max load: 1000N
 Maximum Gap: 560mm
 Work Voltage: Single-phase 220V
 Rate Current: 1.5 A
 Fuse of Main Circuit: 3 A
 Fuse of Controlling Circuit: 0.5 A
 Working Temperature: 20±10℃
 Store & Delivery Temperature: -27℃~+70℃
 Relative Humidity: 15%~80% RH

3 Cautions

1. The rated load of this test stand is 1000N, please do not use it with exceeding load, which will destroy the machine, or cause hurt.
2. Handle lightly during use or moving.
3. Please clean the machine by soft cloth. Dip the cloth in the water with cleanser, then dry it and clean the dirt. Do not use the easy volatile chemical substance, such as volatile oil, thinner, alcohol.
4. Do not tear down, repair, or update the machine by yourself, which may cause permanent trouble.

5. Please keep the environment clean and prevent liquid or metal scraps from entering the engine box, otherwise electric shock may happen and driving
6. Please pull out power connector, and protect equipment from dust and humidity.

4 Structure



5

Operation

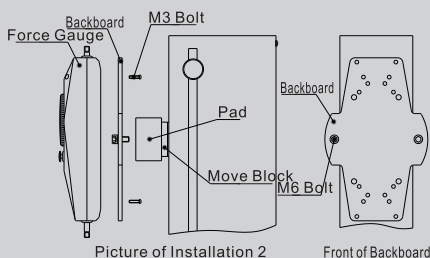
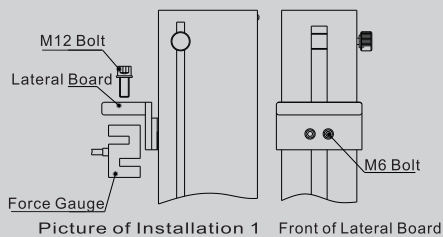
Installation of Force Gauge

Installation 1:

- ① Screw M12x25 bolt into force gauge through hole on beam.
- ② Install required clamp at head of force gauge by M12 screw hole, adjust place and fix them.

Installation 2:

- ① Loosen M6 screw on backboard by M6 spanner, and take backboard off.
- ② When installing SN dial force gauge, first take off 4 pieces of M3x8 screws on back cover, and fix the gauge on backboard by M3x14 screw. When installing digital force gauge, fix the gauge on backboard by M3x8 screw.
- ③ Fix backboard(with force gauge) on heel block by M6 screw. Please pay attention to the push pull direction of SN dial force gauge during installation.



Examination before Operation

A. Lock the Retainer, Switch on the power and turn on the power switch, then the power lamp will be light.

B. Examine the stand if there is abnormal sound with the stand moving without load.

Manual (Automatic) Test

A. Turn the Manual/Automatic switch to Manual operation position.

B. Press the up and down button on the stand, then the stand will begins to work.

C. Loosen the button, then the stand will stop working.

Adjustment of Test Speed

A. Pressing the Up or Down button once, the stand begins to work.

B. Press the "Stop" button, the test stand will stop work.

6

Packing List

Item	Description	Quantity
1	SJY-1000 Main Body	1
2	M6 Inner Hexagon Spanner	1
3	220V Power Wire	1
4	M10 Nut Foot	4
5	M12x25 Hexagonal Screw	1
6	Manual	1
7	Qualification Certificate	1

WENZHOU SUNDOO INSTRUMENTS CO.,LTD

Add:No.5,Xigongxi Road,Xitai Industrial Zone,
Wenzhou China

Zip Code: 325011

TEL:+86 577 88609905

FAX:+86 577 88390155

Http://www.sundoo.com

E-mail:export@sundoo.com