

# N0000.788

# AC-DC POWER MODULE 30W *UL / cUL / TUV / CE*



DRA30 - 24  
WATTAGE ——— |  
|  
| 24V OUT

## MODEL

MODEL NO.	INPUT VOLTAGE	OUTPUT WATTAGE	OUTPUT VOLTAGE	OUTPUT CURRENT	EFF. (TYP.)
<b>Single Output Models</b>					
DRA30-24	90~265 VAC	30 WATTS	+24 VDC	1250 mA	84%

## FEATURES

- \* AC/DC POWER MODULE
- \* UNIVERSAL INPUT 90 ~ 265 VAC
- \* HIGH EFFICIENCY 84%
- \* SHORT CIRCUIT PROTECTION
- \* INTERNAL INPUT FILTER
- \* 2 YEARS WARRANTY

## SPECIFICATION

All Specifications Typical At Nominal Line, Full Load, 25°C Unless Otherwise Noticed

### GENERAL SPECIFICATION

- \* Switching frequency: ..... > 55 KHz
- \* Isolation voltage: ..... 3,000VAC
- \* Isolation resistance: ..... 100M  $\Omega$ (min.)
- \* Operating ambient temperature: ..... -10 TO +50°C
- \* Storage temperature: ..... -25 TO +85°C
- \* Max. Case temperature: ..... 65°C
- \* Relative humidity: ..... 90% RH
- \* M.T.B.F.: ..... 200,000Hrs at @ GF40, according to MIL-HDBK-217F
- \* Cooling: ..... free air convection
- \* Transient recovery time: ..... 300 $\mu$ S, 50% load step change
- \* Temperature coefficient: ..... 0.02% / °C
- \* Dimension: ..... 115 x 90 x 40mm

### INPUT SPECIFICATIONS

- \* Input voltage range / frequency: ..... 90 ~ 265VAC / 47 ~ 63Hz
- \* No load input current: ..... 10 mA
- \* Max. Input voltage: ..... 265VAC
- \* Inrush current: ..... <16A at 115VAC  
<32A at 230VAC

### OUTPUT SPECIFICATIONS

- \* Output voltage accuracy: .....  $\pm 1\%$  at Vo\_nom
- \* Line regulation: .....  $\pm 0.2\%$  at Vo\_nom
- \* Load regulation: .....  $\pm 0.3\%$  at Vo\_nom
- \* Ripple & noise: ..... 50mV (max.)
- \* Efficiency: ..... up to 84%, see model list
- \* Voltage trim range: ..... +15% at Vo\_nom
- \* Derating: ..... +50°C
- \* Case material: ..... plastic
- \* DC OK indicator: ..... green LED

### CONTROL AND PROTECTION

- \* Input fuse: ..... T2A / 250VAC
- \* Output short circuit: ..... Hiccup mode
- \* Output over load: ..... 105 ~ 125%
- \* Power Rdy: ..... Admissible load 700 $\Omega$  min (see fig. 1 for Rdy connection)  
Threshold voltage 24  $\pm 2$ V

### APPOVALS AND STANDARD

- UL / cUL: ..... UL1950
- TUV: ..... IEC60950
- CE: ..... EN55022 for EMI  
EN55024 for EMS

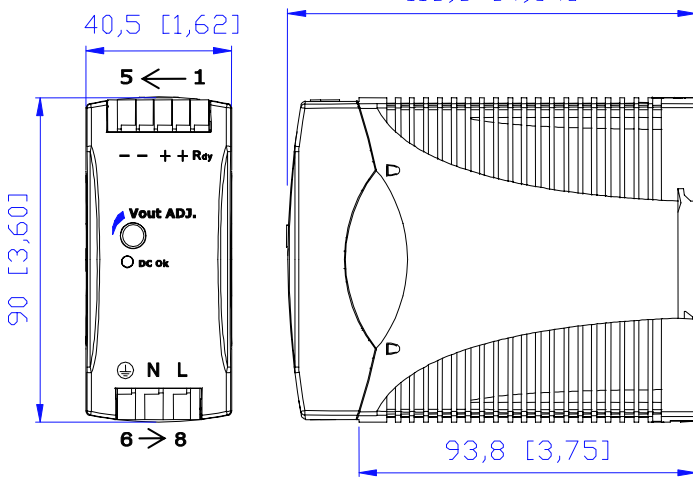
# N0000.788

## AC-DC POWER MODULE

30W *UL / cUL / TUV / CE*

### MECHANISM & PIN CONFIGURATION

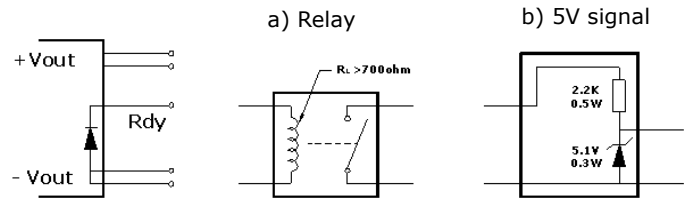
mm [inch]



### PHYSICAL CHARACTERISTICS

CASE SIZE	115 x 90 x 40mm 4.5 x 3.5 x 1.5inch
CASE MATERIAL	PLASTIC
WEIGHT	290 g

Fig. 1 Rdy connection



### CONSTRUCTION

Robust sealed plastic housing with fine ventilation grid.

Easy snap-on mounting onto the DIN-Rail

(TS35/7.5 or TS35/15), unit sits safety and

firmly on the rail; no tools required even to remove

### INSTALLATION

Ventilation / Cooling

Normal convection

Above/below 25m/m free space

For cooling recommended

Connector size range

Solid: 0.2-2.0mm<sup>2</sup> (AWG24-14)

### PIN ASSIGNMENT

PIN NO.	Designation	Description
1	RDY	DC OK output for relay (not connect except 24V model)
2	+	Positive output terminal
3	+	Positive output terminal
4	-	Negative output terminal
5	-	Negative output terminal
6	⊕	Ground this terminal to minimize high-frequency emissions
7	N	Input terminals (neutral conductor, no polarity at DC input)
8	L	Input terminals (phase conductor, no polarity at DC input)
	Vout Adj.	Potentiometer for Vout adjustment
	DC OK	Operation indicator LED

### Derating:

