

Part number:
63903-0303

Copyright

© 2014, FLIR Systems, Inc.

All rights reserved worldwide. Names and marks appearing herein are either registered trademarks or trademarks of FLIR Systems and/or its subsidiaries. All other trademarks, trade names or company names referenced herein are used for identification only and are the property of their respective owners.

May 15, 2014, 09:31 PM

Corporate Headquarters

FLIR Systems, Inc.
27700 SW Parkway Ave.
Wilsonville, OR 97070
USA
Telephone: +1-503-498-3547

Website

<http://www.flir.com>

Customer support

<http://support.flir.com>

Legal disclaimer

Specifications subject to change without further notice. Camera models and accessories subject to regional market considerations. License procedures may apply.

Information and equipment described herein may require US Government authorization for export purposes. Diversion contrary to US law is prohibited.



General description

The Flir Ex series cameras are point-and-shoot infrared cameras that give you access to the infrared world. A Flir Ex series camera is an affordable replacement for an infrared thermometer, providing a thermal image with temperature information in every pixel. The new MSX and visual formats make the cameras incomparably easy to use. The Flir Ex series cameras are user-friendly, compact, and rugged, for use in harsh environments. The wide field of view makes them the perfect choice for also building applications.

Benefits:

- Easy to use: The Flir Ex series cameras are fully automatic and focus-free with an intuitive interface for simple measurement in thermal, visual, or MSX mode.
- Compact and rugged: The Flir Ex series cameras' low weight of 0.575 kg and accessory belt pouch make them easy to bring along at all times. Their rugged design that can withstand a 2 m drop test ensures reliability, even in harsh environments.
- Ground breaking affordability: The Flir Ex series cameras are the most affordable infrared cameras on the market.

Imaging and optical data

IR resolution	320 × 240 pixels
Thermal sensitivity/NETD	<0.06°C (0.11°F) / <60 mK
Field of view (FOV)	45° × 34°
Minimum focus distance	0.5 m (1.6 ft.)
Spatial resolution (IFOV)	2.6 mrad
F-number	1.5
Image frequency	9 Hz
Focus	Focus free

Detector data

Detector type	Focal plane array (FPA), uncooled microbolometer
Spectral range	7.5–13 μm

Image presentation

Display	3.0 in. 320 x 240 color LCD
Image adjustment	Automatic adjust/lock image

Measurement

Object temperature range	-20°C to +250°C (-4°F to +482°F)
Accuracy	±2°C (±3.6°F) or ±2% of reading, for ambient temperature 10°C to 35°C (+50°F to 95°F) and object temperature above +0°C (+32°F)

Measurement analysis

Spotmeter	Center spot
Area	Box with max./min.
Emissivity correction	Variable from 0.1 to 1.0

P/N: 63903-0303

© 2014, FLIR Systems, Inc.
All rights reserved worldwide.

Measurement analysis

Emissivity table	Emissivity table of predefined materials
Reflected apparent temperature correction	Automatic, based on input of reflected temperature

Set-up

Color palettes	Black and white, iron and rainbow
Set-up commands	Local adaptation of units, language, date and time formats

Storage of images

File formats	Standard JPEG, 14-bit measurement data included
--------------	---

Data communication interfaces

Interfaces	USB Micro: Data transfer to and from PC and Mac device
------------	--

Power system

Battery type	Rechargeable Li Ion battery
Battery voltage	3.7 V
Battery operating time	Approx. 4 hours at +25°C (+77°F) ambient temperature and typical use
Charging system	Battery is charged inside the camera or in specific charger.
Charging time	2.5 hours to 90% capacity in camera. 2 hours in charger.
Power management	Automatic shut-down
AC operation	AC adapter, 90–260 VAC input, 5 VDC output to camera

Environmental data

Operating temperature range	–15°C to +50°C (+5°F to +122°F)
Storage temperature range	–40°C to +70°C (–40°F to +158°F)
Humidity (operating and storage)	IEC 60068-2-30/24 h 95% relative humidity
EMC	<ul style="list-style-type: none"> • WEEE 2012/19/EC • RoHS 2011/65/EC • C-Tick • EN 61000-6-3 • EN 61000-6-2 • FCC 47 CFR Part 15 Class B
Encapsulation	IP 54 (IEC 60529)
Bump	25 g (IEC 60068-2-29)
Vibration	2 g (IEC 60068-2-6)
Drop	2 m (6.6 ft.)

Physical data

Camera weight, incl. battery	0.575 kg (1.27 lb.)
Camera size (L × W × H)	244 × 95 × 140 mm (9.6 × 3.7 × 5.5 in.)
Color	Black and gray

Certifications

Certification	UL, CSA, CE, PSE and CCC
---------------	--------------------------

Shipping information

Packaging, type	Hard case
	<ul style="list-style-type: none"> • Infrared camera • Hard transport case • Battery (2x) • USB cable • Power supply/charger with EU, UK, US and Australian plugs • Battery charger • User documentation CD-ROM • Printed documentation • FLIR Tools download card



P/N: 63903-0303

© 2014, FLIR Systems, Inc.
All rights reserved worldwide.

Optional Accessories

- T911093 Tool belt
- T198528 Hard transport case FLIR Ex-series
- T198530 Battery
- T198531 Battery charger incl power supply
- T198532 Car charger
- T198534 Power supply USB-micro
- T198529 Pouch FLIR Ex and ix series
- T198533 USB cable Std A <-> Micro B

Optional Software

- T198583 FLIR Tools+ (license only)
-

P/N: 63903-0303

© 2014, FLIR Systems, Inc.
All rights reserved worldwide.

T911093; Tool belt



General description

Tool belt for FLIR camera pouches.

Technical data

Weight	0.117 kg (0.26 lb.)
Length	1.44 m (4.7 ft.)
Color	Black

Shipping information

- Tool belt

EAN-13	4743254000384
UPC-12	845188003210

v1.02

T198528; Hard transport case FLIR Ex-series



General description

Hard transport case for FLIR Ex-series

Technical data

Weight	1.75 kg (3.86 lb.)
Size (L x W x H)	303 x 206 x 128 mm (11.9 x 18.1 x 5.0 in.)
Color	Black

Shipping information

Packaging, weight	1.750 kg
Packaging, size	303 x 206 x 128 mm
EAN-13	4743254001022
UPC-12	845188004873

P/N: 63903-0303

© 2014, FLIR Systems, Inc.
All rights reserved worldwide.

T198530; Battery



General description

High capacity battery for the IR camera.

Technical data

Battery type	Rechargeable Li Ion battery
Battery voltage	3.7 V
Battery capacity	2.6 Ah at +20°C (+68°F)
Battery note	Approximate lithium content: 0.7 g
Charging system	Battery is charged inside the camera or in separate charger
Charging temperature	0°C to +45°C (+32°F to +113°F)
Battery storage temperature range	-40°C to +70°C (-40°F to +158°F)

Shipping information

EAN-13	4743254001046
UPC-12	845188004897

T198531; Battery charger incl power supply



General description

Battery charger incl. power supply.

Technical data

AC operation	90–264 VAC, 50/60 Hz, output 5.0 VDC, 2.1 A
Power	10.5 W
Size (L x W x H)	58.0 x 38.0 x 31.0 mm (2.3 x 1.5 x 1.2 in.)
Battery charger size (L x W x H)	82.0 x 56.0 x 64.0 mm (3.2 x 2.2 x 2.5 in.)
Cable length	1.2 m (3.9 ft.)

Shipping information

EAN-13	4743254001053
UPC-12	845188004903

P/N: 63903-0303

© 2014, FLIR Systems, Inc.
All rights reserved worldwide.

T198532; Car charger



General description

This cable is used to power the infrared camera from the 12 V socket in a car.

Technical data

Voltage	Input: 12/24 V Output: 5 V
Cable length	1 m (3.3 ft.)
Color	Black

Shipping information

EAN-13	4743254001060
UPC-12	845188004910

T198534; Power supply USB-micro



General description

Power supply USB-micro.

Technical data

AC operation	90–264 VAC, 50/60 Hz, output 5.0 VDC, 2.1 A
Power	10.5 W
Size (L × W × H)	58.0 × 38.0 × 31.0 mm (2.3 × 1.5 × 1.2 in.)
Cable length	1.2 m (3.9 ft.)

Shipping information

EAN-13	4743254001084
UPC-12	845188004934

P/N: 63903-0303

© 2014, FLIR Systems, Inc.
All rights reserved worldwide.

T198529; Pouch FLIR Ex and ix series



General description

Pouch, including shoulder strap, for FLIR Ex and ix series.

Technical data

Size (L x W x H)	270.0 x 145.0 x 115.0 mm (10.6 x 5.7 x 4.5 in.)
Color	Black

Shipping information

- Pouch
- Shoulder strap

EAN-13	4743254001039
UPC-12	845188004880

T198533; USB cable Std A <-> Micro B



General description

This cable is used to connect the infrared camera with a computer, using the USB protocol.

Technical data

Weight	60 g (2.1 oz.)
Cable length	1.8 m (5.9 ft.)
Connector	Standard USB-A to USB Micro-B

Shipping information

EAN-13	4743254001077
UPC-12	845188004927

P/N: 63903-0303

© 2014, FLIR Systems, Inc.
All rights reserved worldwide.

T198583; FLIR Tools+ (license only)



General description

Compared to FLIR Tools, FLIR Tools+ has the following features:

- Radiometric Panorama incl. MSX
- Radiometric IR Video Recording
- Advanced Reporting

FLIR Tools/Tools+ is a software suite specifically designed to provide an easy way to update your camera and create inspection reports.

FLIR Tools+ main features:

- Manual IR/Visual Image Grouping
- Radiometric Panorama incl. MSX
- Radiometric IR Video Recording
- Advanced Reporting - Microsoft Office 2007 (32bit), and 2010 (32bit) support
- Report templates (horizontal IR + DC, vertical IR + DC, horizontal IR + IR).
- Import images from your camera to your computer.
- Apply filters when searching for images.
- Search all text in images and text annotations.
- Store the five latest search criteria's.
- Lay out, move, and resize measurement tools on any infrared image.
- Create PDF imagesheets of any images of your choice.
- Add headers, footers, and logos to imagesheets.
- Create PDF reports for images of your choice.
- Add headers, footers, and logos to reports.
- Report editor (report page preview and snap to grid).
- Sort function (by date, groups sorted by path, and groups sorted by date).
- Browse and purchase infrared cameras, software, and accessories in the webshop.
- Software localized to 21 languages.
- Support for MSX (Multi-Spectral Dynamic Imaging) Images
- Support for Sketch Images on both IR and Visual with toggling ON/OFF feature.
- Support for Same FOV (Field of View Match)
- Display of Compass Information in Edit and in Report.
- Display of GPS Information in Edit and in Report.
- Microsoft Windows 7 (32- and 64-bit) and Windows 8 (32- and 64-bit)
- Camera update (applies to FLIR Ex, Kxx, Exx and T6xx series only).

Download

Download your copy of FLIR Tools+ here:

<http://support.flir.com/toolsplus>

Release notes

Version	FLIR Tools+ 4.1
New features	<ul style="list-style-type: none">• --- News in 4.1: ---• Previous/next in Edit mode.• Clone in the Library.• Extract visual photo from a multispectral image.• Import *.mp4, *.seq, and *.csq files from the camera.• Playback/edit *.seq and *.csq files.• Scale enhancement for the FLIR GF3xx series.• Auto resize of thumbnails during importing for the FLIR T6xx series.• Grouping/ungrouping now added.• Various bug fixes.

Shipping information

- FLIR Tools+ scratchcard



Optional Software

P/N: 63903-0303

© 2014, FLIR Systems, Inc.
All rights reserved worldwide.

System requirements

Operating system

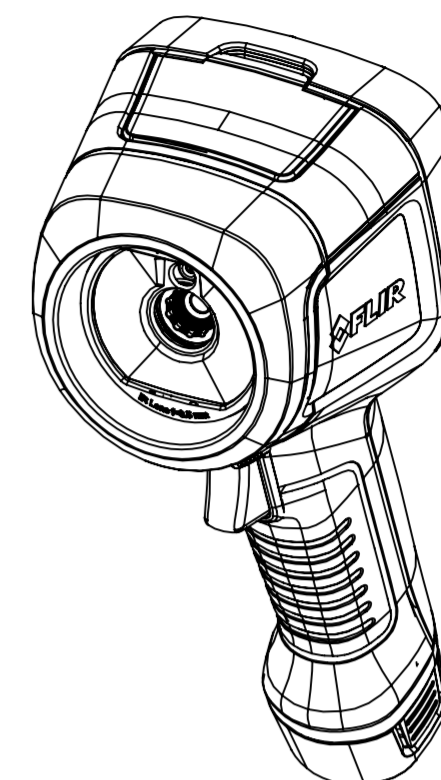
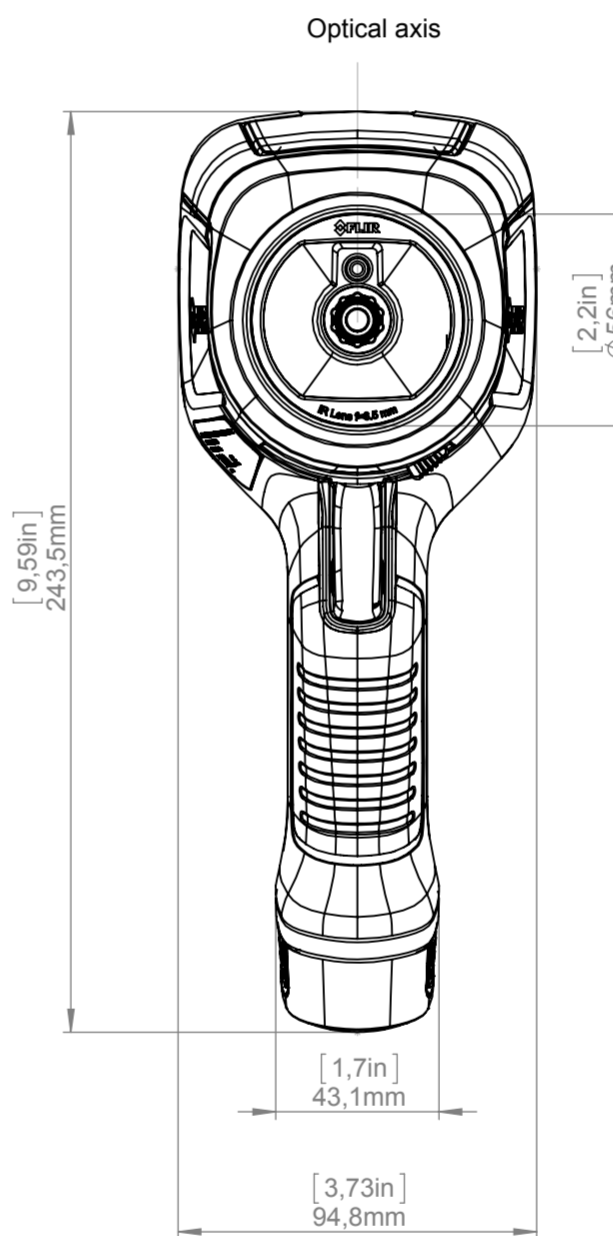
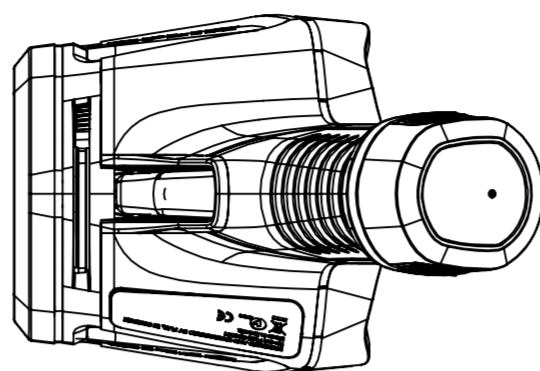
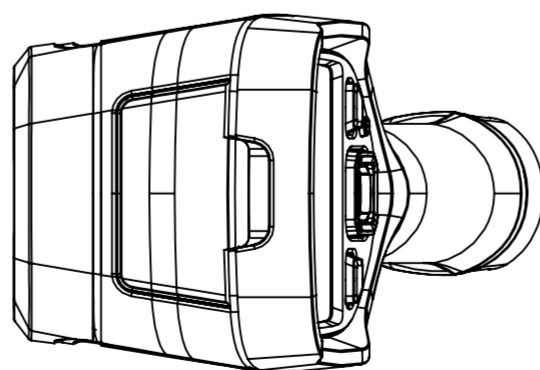
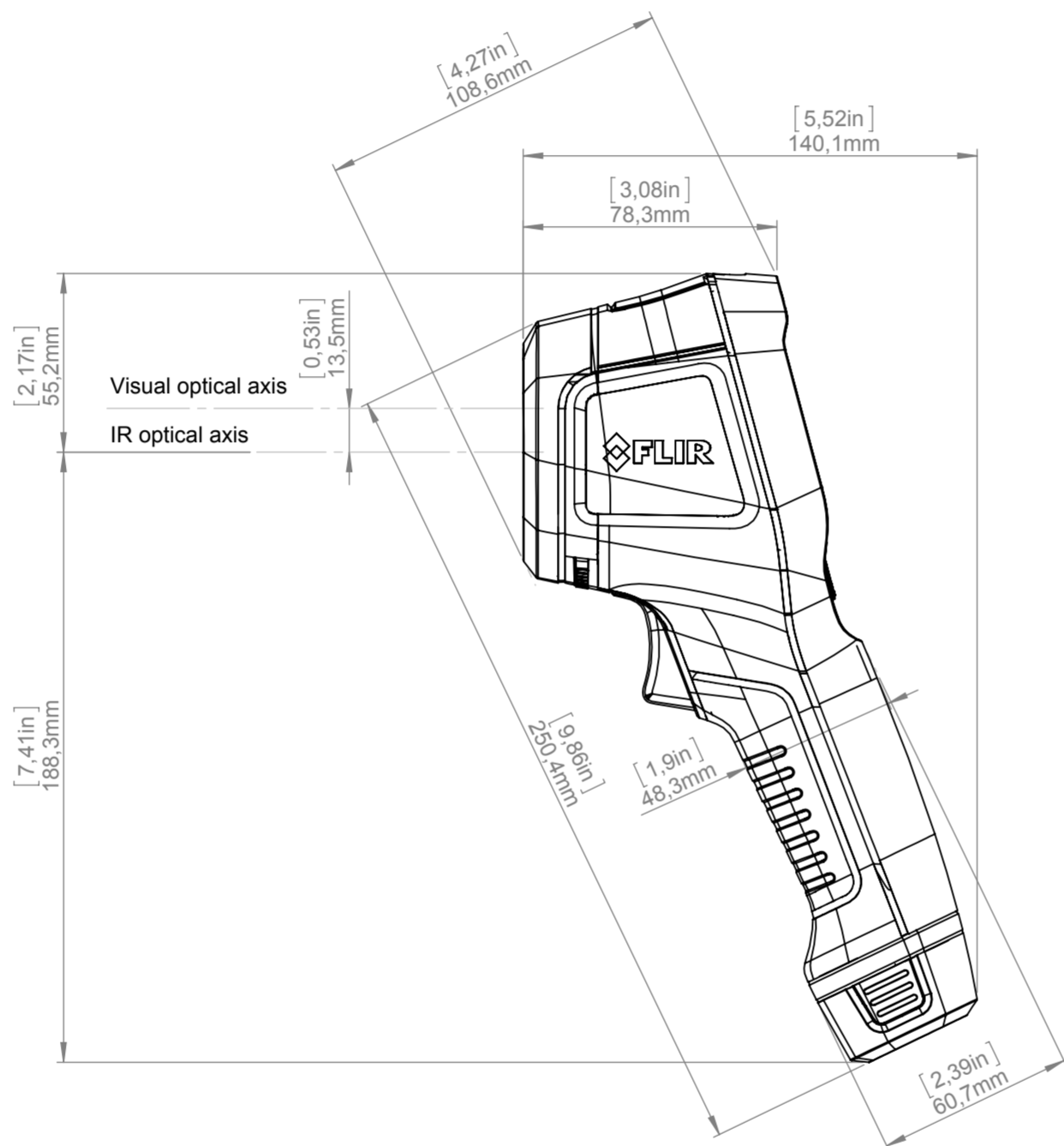
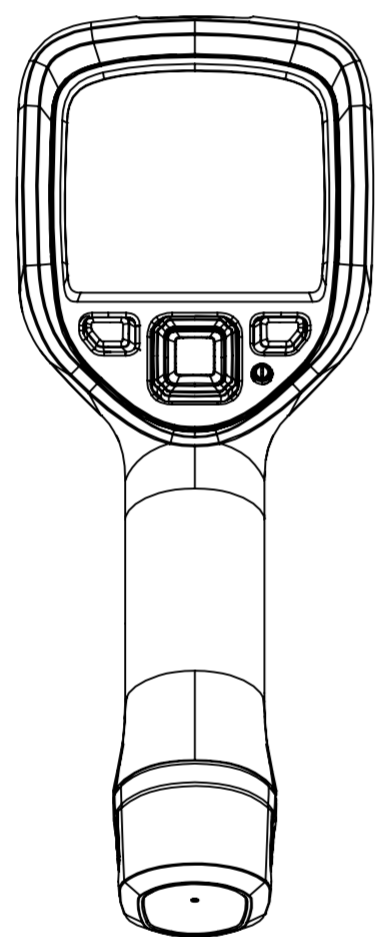
- Windows XP, 32-bit
- Windows Vista, 32-bit
- Windows 7, 32-bit
- Windows 7, 64-bit
- Windows 8, 32-bit
- Windows 8, 64-bit

Software requirements

- Office 2007, 32-bit
- Office 2010, 32-bit
- Office 2013, 32-bit

v1.0

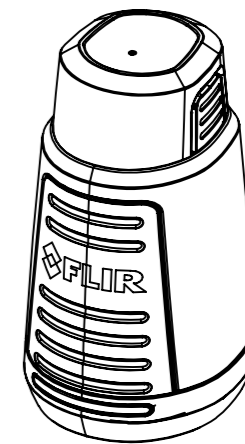
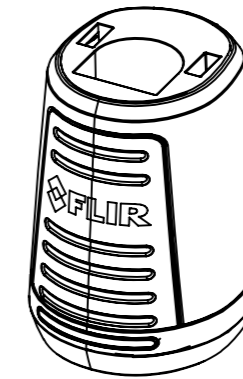
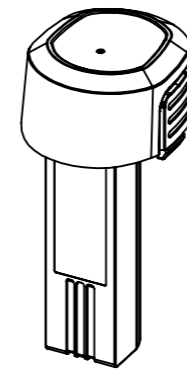
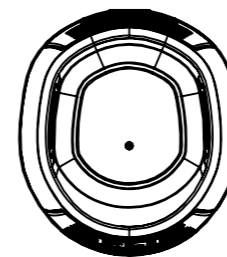
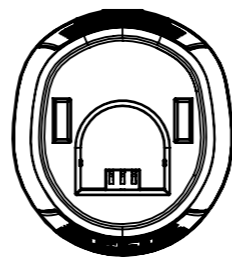
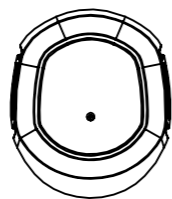
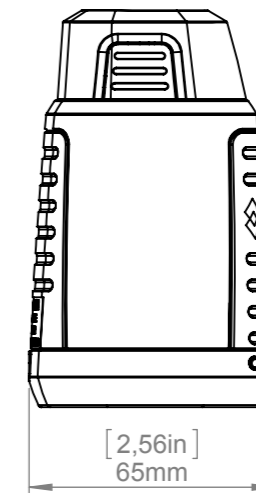
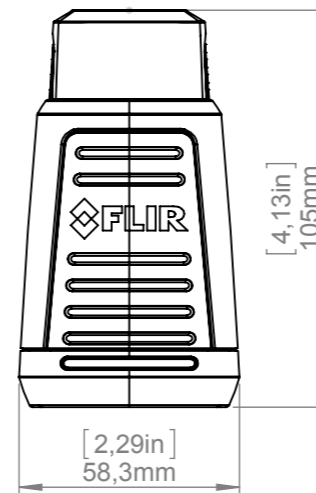
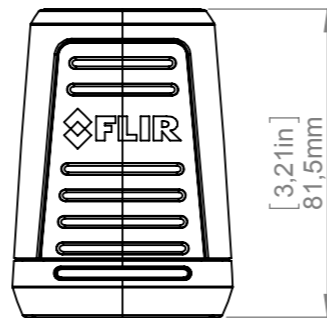
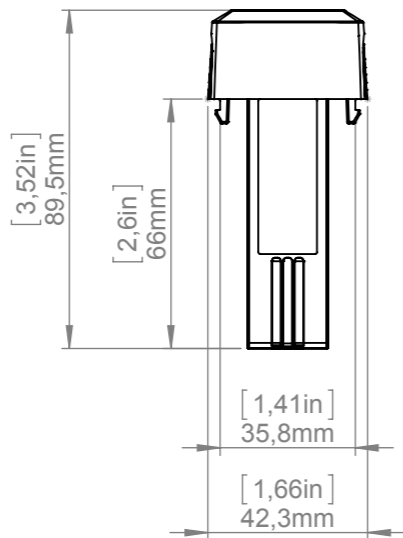
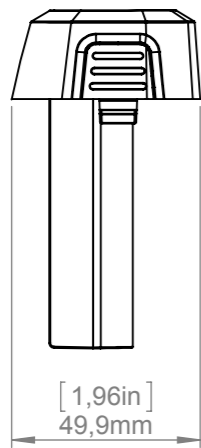
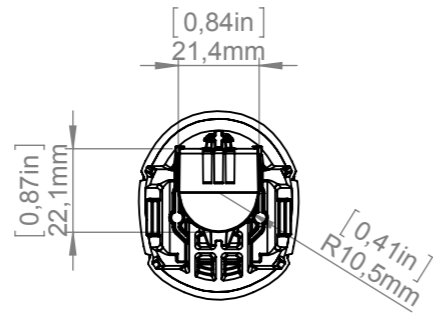
Camera with built-in IR lens f=6,5 mm (45°)



© 2012, FLIR Systems, Inc. All rights reserved worldwide. No part of this drawing may be reproduced, stored in a retrieval system, or transmitted in any form, or by any means, electronic, mechanical, photocopying, recording, or otherwise, without the prior written permission of FLIR Systems, Inc. Specifications subject to change without notice. Dimensions are based on nominal values. Products may be subject to regional market considerations. License procedures may apply. Product may be subject to US Export Regulations. Please refer to exportquestions@flir.com with any questions. Diversion contrary to US law is prohibited.

Modified 2013-03-25	Check CAHA	Drawn by R&D Thermography	
Denomination			
Basic dimensions FLIR Ex			Size A2 Scale 1:2 Drawing No. T127831
			Sheet 1(2) Size A

Charger and Power pack



Modified 2013-03-25	Check CAHA	Drawn by R&D Thermography	
Denomination			
Basic dimensions FLIR Ex			Drawing No. T127831 Size A

© 2012 FLIR Systems, Inc. All rights reserved worldwide. No part of this drawing may be reproduced, stored in a retrieval system, or transmitted in any form, or by any means, electronic, mechanical, photocopying, recording, or otherwise without written permission from FLIR Systems, Inc. Specifications subject to change without further notice. Dimensional data is based on nominal values. Products may be subject to regional market considerations. License procedures may apply. Product may be subject to US Export Regulations. Please refer to exportquestions@flir.com with any questions. Diversion contrary to US law is prohibited.