

no longer available - archive entry Alternative article: IM5127

When selecting an alternative article and accessories please note that technical data may differ!

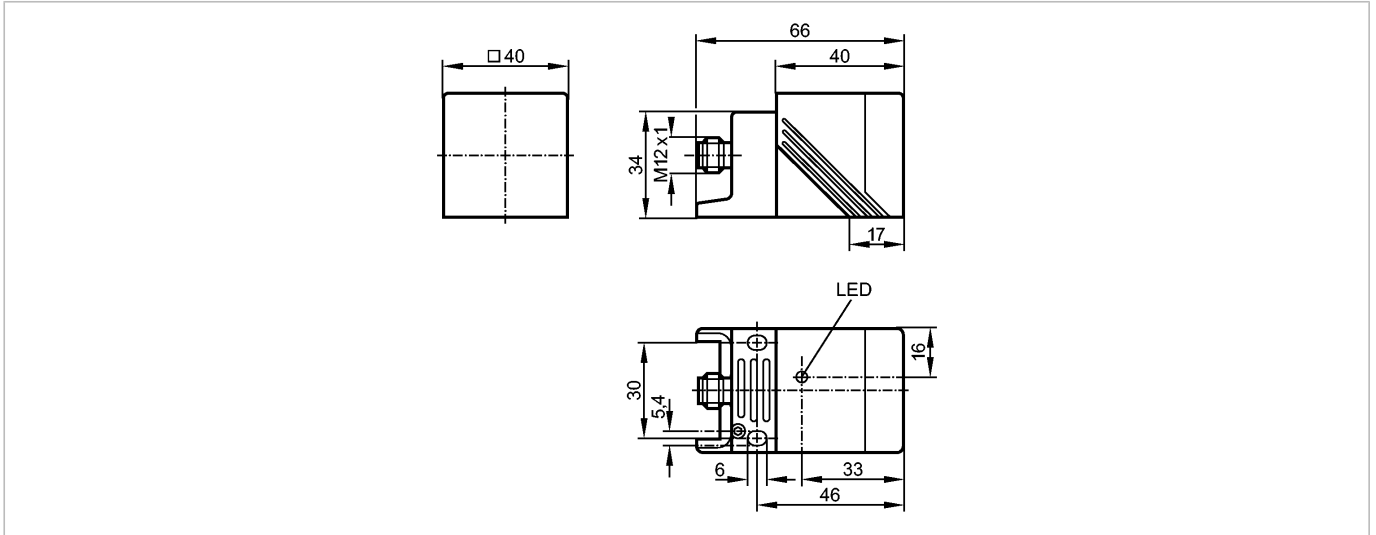
efectorio

IM9905



IMC2015-ARKG/UP/US RT

Inductive sensors



Product characteristics

Inductive sensor

Rectangular, plastics

Quick disconnect

Sensing range 15 mm; [f] flush mountable

Electrical data

Electrical design

DC PNP/NPN

Operating voltage [V]

10...55 DC

Protection class

II

Reverse polarity protection

yes

Outputs

Output function

normally open

Voltage drop [V]

< 4.6

Minimum load current [mA]

2

Leakage current [mA]

< 0.8

Current rating [mA]

100

Short-circuit protection

yes (non-latching)

Overload protection

yes

Switching frequency [Hz]

150

Monitoring range

Sensing range [mm]

15

Real sensing range (Sr) [mm]

15 ± 10 %

Operating distance [mm]

0...12.1

Accuracy / deviations

Correction factors

mild steel = 1 / stainless steel approx. 0.7 / brass approx. 0.5 / aluminium approx. 0.4 / copper approx. 0.3

Hysteresis [% of Sr]

1...15

Switch-point drift [% of Sr]

-10...10

Environment

Ambient temperature [°C]

-25...70

Protection

IP 67

Tests / approvals

EMC

EN 60947-5-2

EN 55011:

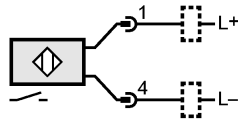
class B

IM9905 - Inductive sensor - eclass: 27270101 / 27-27-01-01

Mechanical data

Mounting	flush mountable
Housing materials	housing: PBT; active face: PEI; connector housing: brass white bronze coated; bracket: PPS
Weight [kg]	0.146
Displays / operating elements	
Output status indication LED	red
Electrical connection	
Connection	M12 connector

Wiring



Accessories

Accessories (included)	Mounting bracket; hex-wrench
Remarks	
Pack quantity [piece]	1

ifm efector, inc. • 1100 Atwater Drive • Malvern • PA 19355 — We reserve the right to make technical alterations without prior notice. — US — IM9905 — 30.04.2003

no longer available - archive entryAlternative article: IM5127

When selecting an alternative article and accessories please note that technical data may differ!