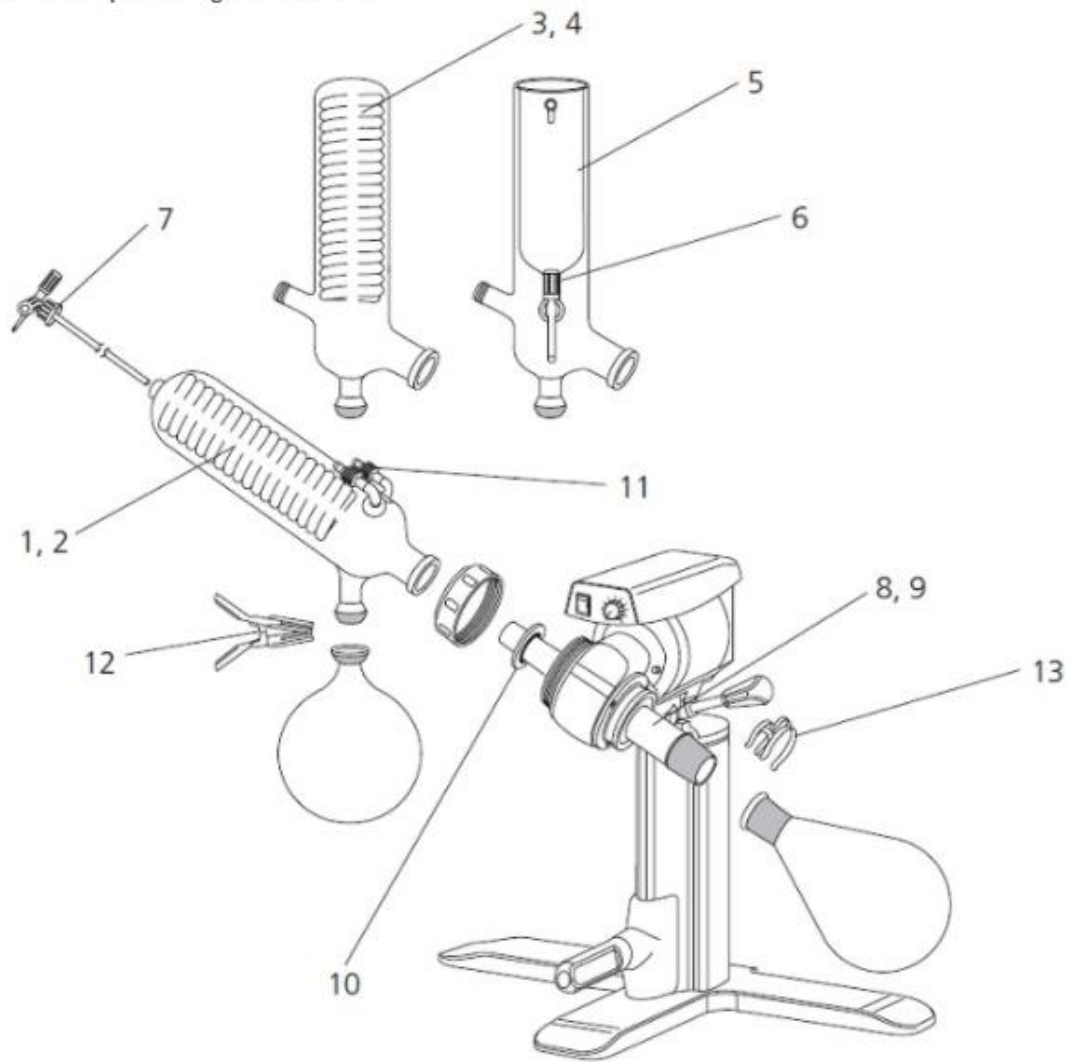


Model	Description
RE200/ SA	Anti-splash protector
RE100/ EA	Extension adapter
FD50/ 4RE	Evaporating flask 50ml
FD100/ 4RE	Evaporating flask 100ml
FD250/ 4RE	Evaporating flask 250ml
FD500/ 4RE	Evaporating flask 500ml
FD500/ 4REP	Evaporating flask 500ml plastic coated
FD1L/ 4RE	Evaporating flask 1000ml
FD1L/ 4REP	Evaporating flask 1000ml plastic coated
FD2L/ 4RE	Evaporating flask 2000ml
FD2L/ 4REP	Evaporating flask 2000ml plastic coated
RE100/ RF/ 50	Receiving flask 50ml
RE100/ RF/ 100	Receiving flask 100ml
RE100/ RF/ 250	Receiving flask 250ml
RE100/ RF/ 500	Receiving flask 500ml
RE100/ RF/ 500P	Receiving flask 500ml plastic coated
RE100/ RF/ 1L	Receiving flask 1000ml
RE100/ RF/ 1LP	Receiving flask 1000ml plastic coated

Replacement parts for glassware sets



Ref	Model	Description
1	RE100/ CO	Diagonal condenser, glass set 00
2	RE100/ COP	Diagonal condenser, plastic coated, glass set 00P
3	RE200/ VC	Vertical condenser, glass set 01
4	RE200/ VCP	Vertical condenser, plastic coated, glass set 01P
5	RE200/ CFP	Cold finger condenser, plastic coated, glass set 02P
6	RE200/ CFD	Drain for cold finger condenser, glass sets 02 and 02P
7	RE100/ VR	Feed tube/ vacuum release, all glass sets
8	RE100/ VT	Vapour tube diagonal condensers, glass sets 00 and 00P
9	RE100/ VT/ CF	Vapour tube for vertical coil and cold finger condensers, glass sets 01, 01P, 02, 02P
10	RE100/ VS	Vacuum seal, all glass sets
11	4510/ 04/ 01	PTFE screw thread connectors, all glass sets, QTY 1
12	JC35/ 1	Spherical joint clip for receiving flask, all glass sets
13	KCM29	Metal joint clip for evaporating flask, all glass sets