

CONTINUATION

Dear User,

We're indebted for your patronage to purchase SBJ Series Digital Torque Meter. Before using the instrument, please carefully read the manual to use it rightly. Please keep the manual and the warranty well to give you help when you can't learn it or there is something wrong with it.

Because of improvement or other changes, description of manual may differ from practical situation. Our company will reserve the right of correct at any moment, it is difficult to notify the corrected place one by one.

Copyright of manual belongs to WenZhou Sundoo Instrument Co., Ltd. Any unit or individual can't copy or plagiarize the part or full content of manual without written consent of WenZhou Sundoo Instrument Co., Ltd.

制造商：温州山度仪器有限公司

MANUFACTURER: WENZHOU SUNDOO INSTRUMENTS CO.,LTD

地址：浙江省温州市龙湾区西台工业区西工西路5号

Add: No. 5, Xigongxi Road, Xitai Industrial Zone, Wenzhou China

Zip: 325011

Tel: +86 577 88609905 Fax: +86 577 88390155

Http://www.sundoo.com E-mail: export@sundoo.com

SBJ USER'S MANUAL

SBJ

使用说明书

钮扣拉力测试机架

FASTENER PULL FORE TEST STAND

Thanks vrey much for your patronage to purchase SBJ Force Pull Force Test Stand.Before using,please carefully read the manual to operate it properly . Please keep the manual and warranty well to give you help when you can not learn it or there is something wrong with it.

Catalogue

- 1. Brief Introduction1
- 2. Purpose.....1
- 3. Meaning and Function1
- 4. Disassemble packing and the steps of installation.....1
- 5. The sketch map of SBJ Button Pull Force Test Stand.....2
- 6. The Explanaiton to Optional Accessories.....3
- 7. Operate demonstration3
- 8. Package List5

standard and criterion .

Notice: The instrument should put at the edge of the desk

The humidity and temperature of the testing enviroment maintain $65 \pm 2\%$ and $21 \pm 1^\circ\text{C}$ respectively .

The relevant Standard and Criterion: BS EN 71: part 1.2005

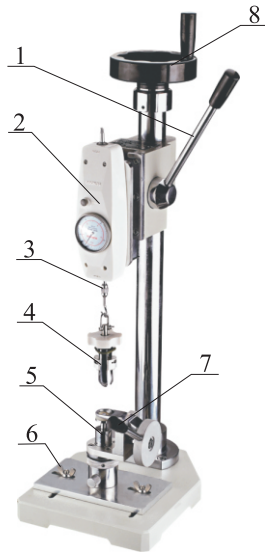
Safety of toys ---Part 1:Mechanical and physical properties
SN/T.1522-2005

People's Republic of China In and Out Board Inspection and Quarantine
Industry Standard----Enfant dress safety technology criterion GB 6675-2003
People's Republic of China National Standard-----Naiton safety of toys
technology criterion

Package List

Names	Quantity
SBJ Button Pull Test Stand	1
M8×35 hexad Screw	2
M8 papilionaceous Screw	2
Manual	1
Qualification Certificate	1

Operate demonstration



- 1--Handlebar
- 2--SN Analog force gauge
- 3--SN Hang ring of gauge
- 4--Mother button clamp
- 5--Bottom clamp
- 6--M8 papilionaceous Screw
- 7--Pushrod
- 8--High adjust hand wheel

1. Take out 4 pieces of M3X12 Screw from SN-200 packing box, put SN-200'S pull side down ward and make fix it on SBJ Button pull test stand back board.
2. Take SN-200 accessory hook revolve it to SN-200 connector and fasten it .
3. Catch the universal mother button clamp to push and pull metre, make sure the little hang ring is hooked in the push and pull metre .
4. Loosen M8 papilionaceous screw, fix it to the groove of handspike bottom textile clamp.Revolve back the M8 papilionaceous screw, move the handspike bottom textile clamp ,make the medium hole aim at the universal mother button clamp three claw' center ; Fasten M8 papilionaceous screw , make the bottom clamps fixed on the test stand 's base.
5. Put the cloth which attached button fixed accessory on the bottom textile clamp, make sure the cloth has been pressed .
6. Clamp the button with the universal mother clamps , make the ruled pull force vertically , waiting for 10 seconds then release.
7. As the judgement to this button of the testing result , please consult correlative

Brief Introduction

SBJ Fastener Pull Force Test Stand apply with SN/SH Series force gauge and special grips, is specially used to measure the button of the ready-made clothes and the purpose of the test is to define the responsibility of the ready-made clothes manufactures to make sure that button and fixed decorative pieces be fixed on the clothes properly , preventing the button form dropping or swallowing by babies. Therefore, the buttons and fixed decorative pieces on the ready-made clothes need to be tested by this instrument.

Purpose

The purpose of this test stand is to define ready-made clothe manufacturer's responsibility in order to guarantee button , and fixed decorative pieces can be fixed on ready-made clothes appropriately, prevent the button from breaking away from the ready-made clothes ,cause the danger which baby may swallow. So the button on all ready-made clothes , need to pass the checking of the pulling force test.

Meaning and Function

1. Test button and clothes 's vertical tensile force ,but button will not break away from the clothes.
2. The requirement of button sewing specification to this test should accordance to the standard that the manufacturer made.
3. This standard may include danger material ,operate and instrument ,and arisen safety problem during use but not state in the standard, so the user of this standard has the responsibility to establish the corrective healthy rules ,and determine the suitable regulation before applying it .
- 4 Accord to EN 71:Part 1.2005's requirement , when the biggest torque size is bigger than 6mm or smaller or equal to 6mm, the button must bear 90N and 50N tensile force respectively .
5. The button should pass Sharpness edge test Standard of EN 71: Part 1.2005 .

6. When test is accordance to the standard which made (such as EN 71:Part 1. 2005), they will not smash and disperse forever. When the size reach to 116 cl (six years old) must pass the monotype object testing .

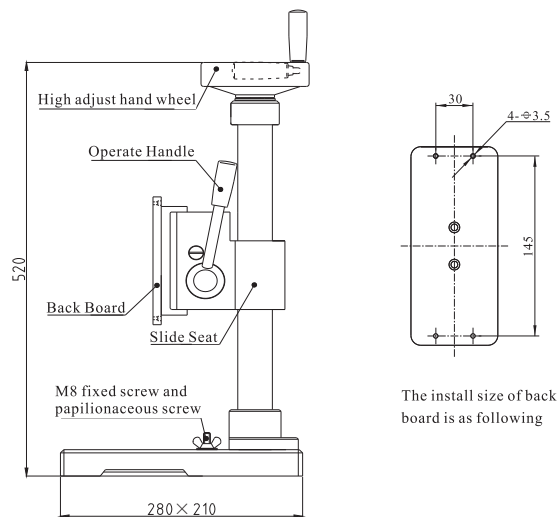
Reference Guarantee : EN 71: Part 1.2005 SN/T 1522-2005

Dissemble packing and the steps of install the instrument

1. Please remove plastic film and fixed wooden stand , before open the packing box.
2. Please take the instrument carefully and put it on the level desk because it is very heavy .
3. The upside flywheel 's handle is held down inside of flywheel table ,when apply it need to draw it up with force .
4. In order to get favorable test effect ,our company design and made clamps that match with test stand. Our customer may purchase accordance their test requirement .

The sketch map of SBJ Button Pull Test Stand

(Unit mm)



Get The testing range through pressing down the operate handle:50mm;
Adjust the high position of Slide Seat through high handwheel: 200mm;
Max capacity of this test stand:500N;

The Explanaiton to Optional Accessories

- ①. Handspike bottom textile clamps
This clamp can level off sample cloth piece,keep it level and steady.
- ②. Universal mother Button clamps
Insure the button forceps grasp three claws button completely during test, so offer a correct button grasp action .This button forceps is designed for special test for five claws button.
- ③. Universal father Button clamps
This button forceps is designed for special test for convexity five claws button .
- ④. Long chaw vigorous clamps
This button clamp is designed for special testing of other made cloth accessory , such as button ring .
- ⑤. Three claws clamps
This button clamp is designed for special testing of general four hole button or jean button.
- ⑥. Two claw button clamp

