

TORQUE TESTER

www.precision-resource.co.th

DTS TORQUE TESTER



DTS digital cap torque tester is a cost-effective testing tools. Metal housings with large back-lit graphics LCD. The tester is suitable for measuring and setting of torque tools. DTS can be used with all powered torque tools as well as manual torque tools. Unit of measurement can be toggled by one simple key. Three modes of operation can be selected: Track mode displays live readings, Peak mode records the maximum reading sensed during the test. Tester can read in either Clock-Wise or Counter-Clock-Wise.

**USB AND RS232
PORT ARE BOTH
SUPPORTED**



TORQUE TESTER

www.precision-resource.co.th

DTS TORQUE TESTER

The tester is ready to work without any setup. For a little more advance setup, the plain English language menu provide for simple setup of the instrument to your requirements. In Pass/Fail mode, programmable limits provide visual and audible indication if a test passes or fails. An analog bar graph provides perspective of current reading in comparison to the full scale range. The instruments can log up to several hundred readings at the push of a button. The data can be later viewed on screen, or sent to a computer through USB port. An easy to setup, free windows based software program, with USB cable, are provided. This is an advance force gauge that suit both simple and professional application.



TORQUE TESTER

www.precision-resource.co.th

DTS TORQUE TESTER



- 0.5% Accuracy, cost effective
- Wide capacity from 0.5 to 500N.m
- Digital Graphic LCD display, Menu Driven
- Can be use with powered torque tools or hand torque tools

TORQUE TESTER

www.precision-resource.co.th

DTS TORQUE TESTER

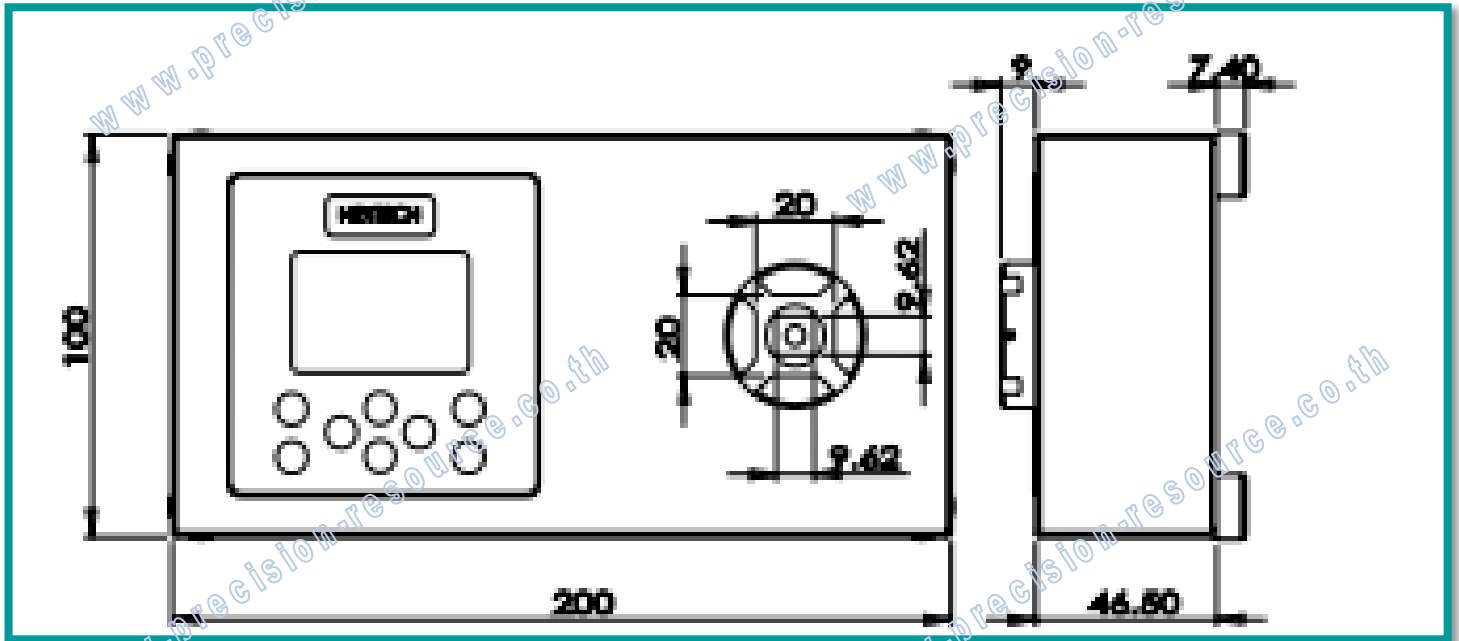
SQUARE SOCKETS, CAPACITY, & DIVISIONS

Model	Square-socket	Mount	N.mm	N.cm	N.m	Kgf.cm	Kgf.m	in-lbf	ft-lbf
DTS 0.5	20mm & 3/8"	No	500 x 0.1	50 x 0.01	0.5 x 0.0001	5.098 x 0.001	0.0509 x 0.0001	4.425 x 0.001	0.3688 x 0.0001
DTS1	20mm & 3/8"	No	1000 x 0.2	100 x 0.02	1 x 0.0002	10.196 x 0.002	0.1019 x 0.0001	8.852 x 0.002	0.7374 x 0.0002
DTS5	20mm & 3/8"	No	5000 x 1	500 x 0.1	5 x 0.001	50.98 x 0.01	0.5098 x 0.0001	44.25 x 0.01	3.688 x 0.001
DTS10	20mm & 3/8"	No	10000 x 2	1000 x 0.2	10 x 0.002	101.96 x 0.02	1.0196 x 0.0002	88.52 x 0.02	7.374 x 0.002
DTS20	20mm & 3/8"	Plate	20000 x 5	2000 x 0.5	20 x 0.005	203.9 x 0.05	2.039 x 0.0005	177 x 0.05	14.75 x 0.005
DTS25	20mm & 3/8"	Plate	25000 x 5	2500 x 0.5	25 x 0.005	254.9 x 0.05	2.549 x 0.0005	221.3 x 0.05	18.435 x 0.005
DTS50	20mm & 3/8"	Plate	-	5000 x 1	50 x 0.01	509.8 x 0.1	5.098 x 0.001	442.5 x 0.1	36.88 x 0.01
DTS100	3/8"	Plate	-	10000 x 2	100 x 0.02	1019.6 x 0.2	10.196 x 0.002	885.2 x 0.2	73.74 x 0.02
DTS200	1/2"	Plate	-	20000 x 5	200 x 0.05	2039 x 0.5	20.39 x 0.005	1770 x 0.5	147.5 x 0.05
DTS300	1/2"	Plate	-	30000 x 5	300 x 0.05	3059 x 0.5	30.59 x 0.005	2655.5 x 0.5	221.25 x 0.05
DTS500	3/4"	Plate	-	50000 x 5	500 x 0.05	5098.4 x 0.5	50.98 x 0.005	4426 x 0.5	368.76 x 0.05

TORQUE TESTER

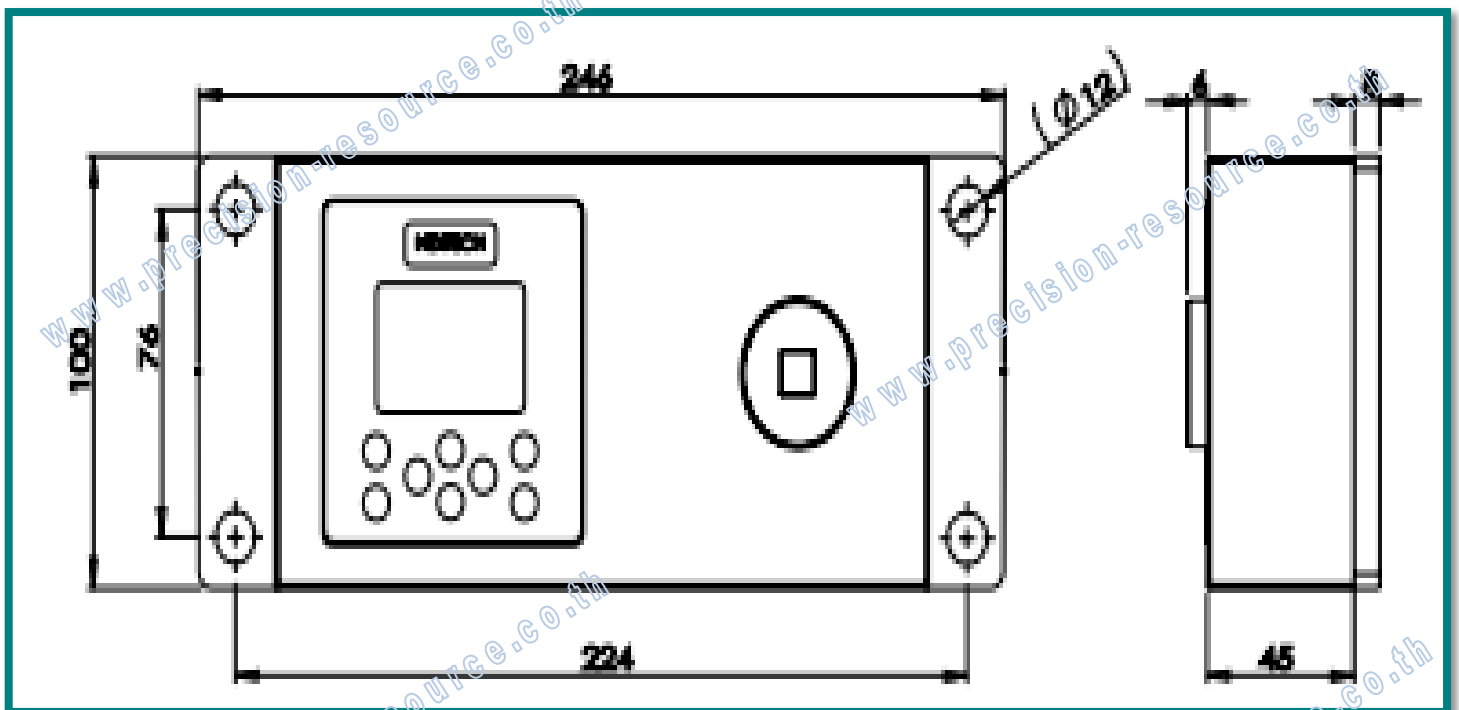
www.precision-resource.co.th

DTS TORQUE TESTER



Pictures show DTS 0.5-10N.m.

With rubber feet and 20mm & 3/8" square socket



Pictures show DTS 20-500N.m

Mounting Plates have 4-12mm holes

Refer to table below for socket head sizes