

FORCE GAUGE

www.precision-resource.co.th

MTS1 STAND+DFS GAUGE+DIGITAL SCALE

Value Set Includes completely assembled; (1) Force Gauge DFS-Series Model, (2) MTS1 Hand Wheel Operated 500N (110lbf/50kgs) test stand & (3) Digital Scale 12in/300mm. Maximum stroke length 12in/300mm.



E-Mail: info@precision-resource.co.th

FORCE GAUGE

www.precision-resource.co.th

MTS1 STAND+DFS GAUGE+DIGITAL SCALE

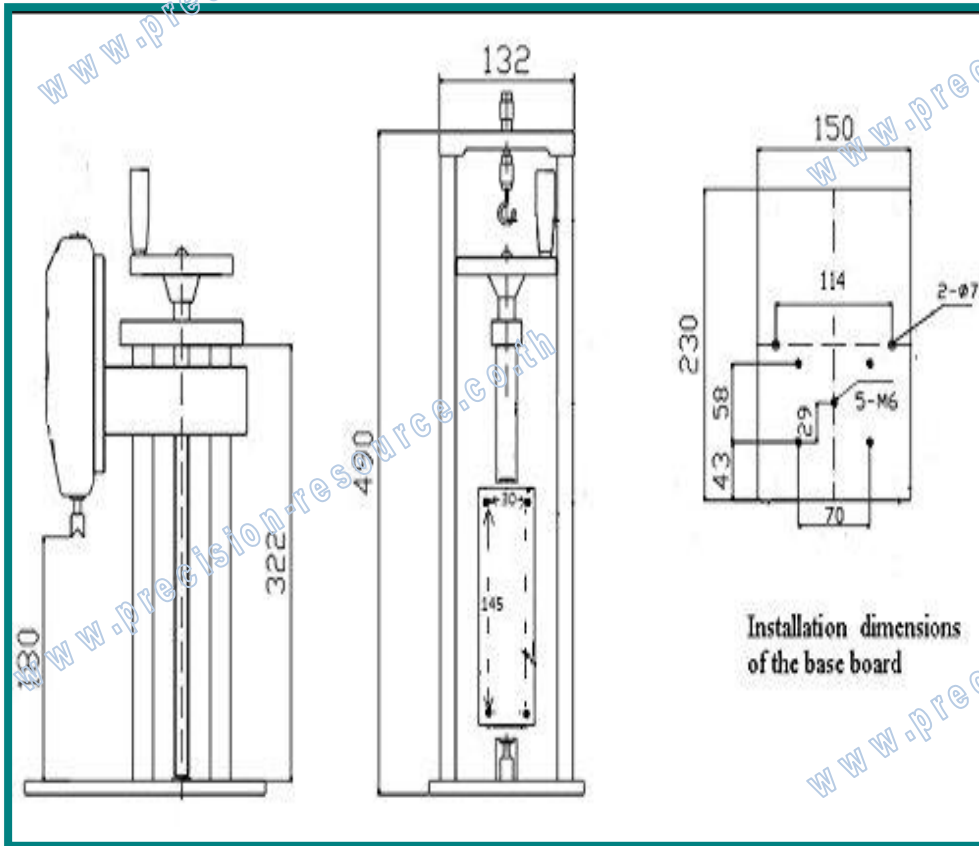


E-Mail: info@precision-resource.co.th

FORCE GAUGE

www.precision-resource.co.th

MTS 1 STAND+DFS GAUGE+DIGITAL SCALE



- Recommend load force from 1N to 250N (55lbf/25kgs).

Maximum Tension/Compression load 500N(110lbf/50kgf), both for Gauge & Test Stand.

- Test Stand work in Tension or Compression Mode.
- Optional chrome plated mounting bar supplied.



E-Mail: info@precision-resource.co.th

FORCE GAUGE

www.precision-resource.co.th

MTS 1 STAND+DFS GAUGE+DIGITAL SCALE



- Nextech DFS500N Force Gauge & Digital Scale already mounted. NIST "Traceable" Calibration Certificate included.
- Included 6 pieces stainless steel accessories set (ACC-Set). (grip & clamp not included)
- Gauge work in Peak Hold, Track, Tension & Compression Mode. For other capacity of force gauge, please contact us. For detail information of DFS force gauge please see DFS-series force gauge.



E-Mail: info@precision-resource.co.th